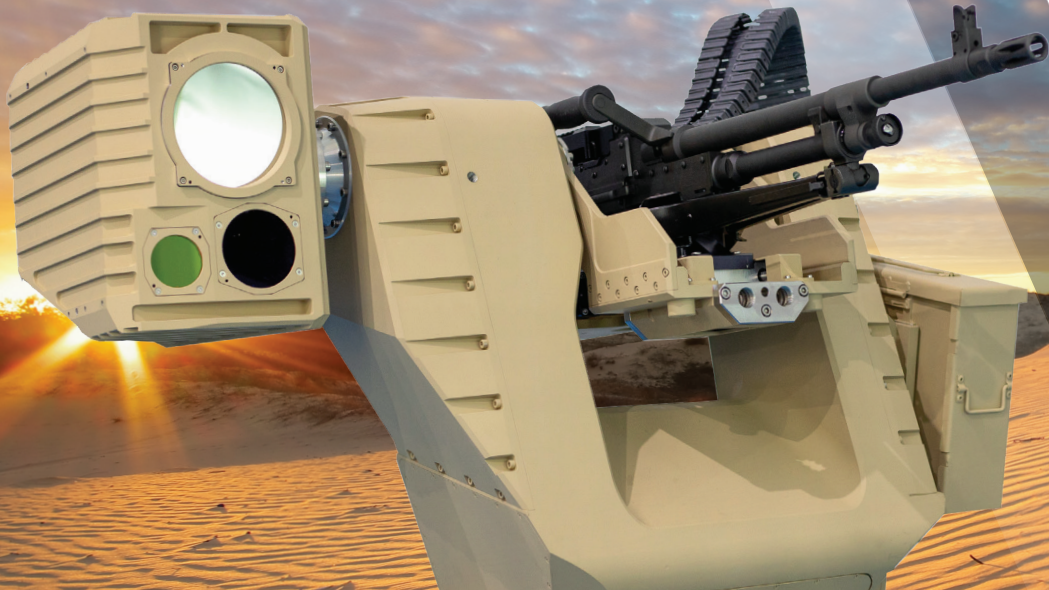


LIGHT RWS (REMOTE WEAPON STATION)

ASPIS
LIGHT RWS



EM&E
ESCRIBANO MECHANICAL & ENGINEERING



ASPIS

DEFENSE DIVISION

ASPIS is a very light Remote Weapon Station (RWS) that can be used for both Naval and Land applications. This versatile system can operate during day and night conditions and it includes an advanced fire control with high precision shooting for medium and short distances.

ASPIS always keeps the operator protected by the platform's structure (vessel, patrol boat, armoured vehicle...) and it is a 2-axis gyro stabilized system that supports an automatic 7.62 mm M240 machine gun.

FUNCTIONALITY

- Fire inhibition.
- Training mode.
- 2 Axis Gyro Stabilization for enhanced firing accuracy.

ADAPTABILITY

- Configurable for Naval and Land applications.
- Adaptable to client needs.

MAINTENANCE

- Modular architecture.
- Minimum Maintenance.
- Built In Test.

EXTENDED RANGE

- Target identification over 2 Km.
- Day/Night Operations.

INTERFACE

- Full screen mode.
- Transparent iconography.
- Control panel with joysticks and extended functionality.

LIGHTNESS

- Due to its very light weight, ASPIS RWS can be mounted on any type of platform.

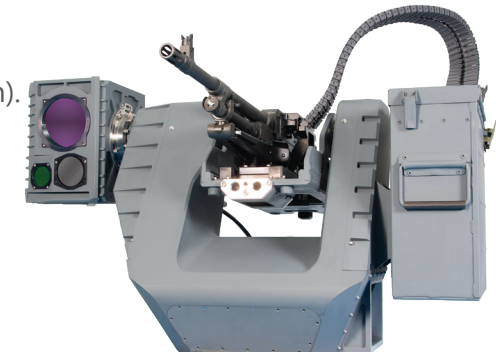
TECHNICAL DATA

WS Platform

Mounting type: 2 axes stabilized station.
Type: Dependent Pan and Tilt Platform.
Weapon: M240 Machine Gun (7.62 mm calibre).
Ammunition Box: 300 rounds.
Gun Elevation Angle: -20° to +60°.
Gun Bearing Angle: 359°.
Maximum Speed: <1 rad/s.
Minimum Speed: < 0.009 rad/s.
Stabilization level: < 1 mrad.
Weight: < 90 kg (without weapons/ammunition).
20kg Control and command subsystem inside the platform.

Other Features

Inhibit zones programmable for safe operation.
Able to exchange data with an external C4I.
Embedded Simulator for training.
Ballistic calculator.
Automatic video tracker.
Integration of external sensor.



WEAPON STATION

ELECTRO OPTICAL SYSTEM

Uncooled IR camera (OS-U):

- InSb 640 x 480.
- 3rd Generation detector.
- LWIR detector (8-12 μm).
- 17 μm Pitch.
- Field of view: 4° to 12°.
- Optical Zoom x3.
- Electronical Zoom x4.

CCD camera:

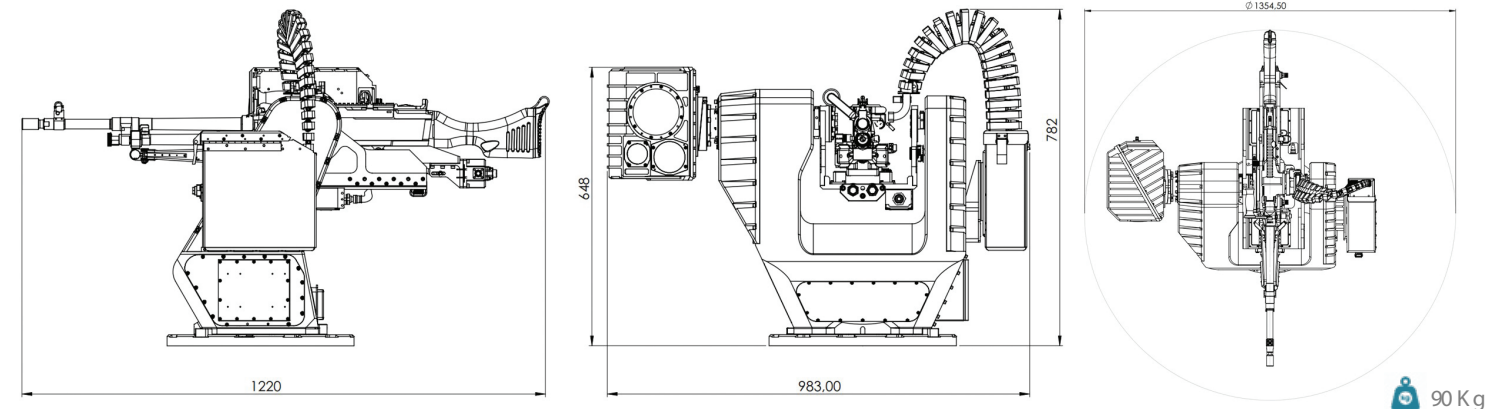
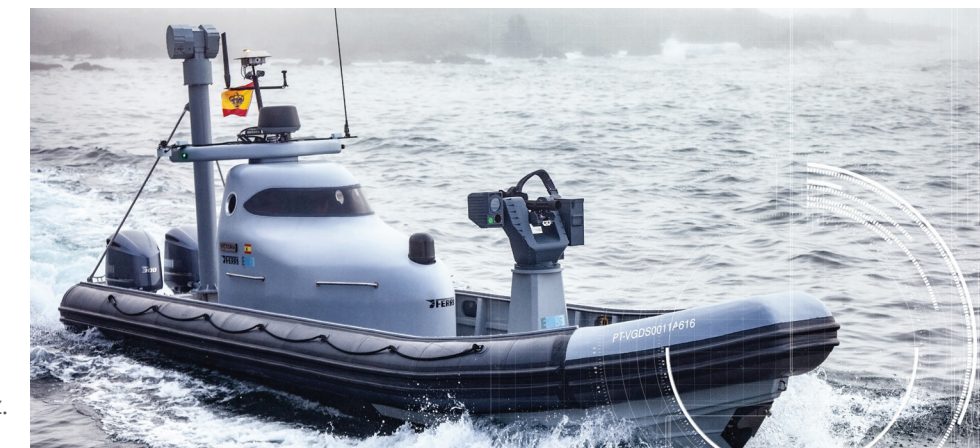
- 2140 k pixels.
- CMOS sensor.
- Field of View 2,3° to 63,7°.
- Optical Zoom x30.
- Electronical Zoom x12.

Laser Range Finder (LRF):

- Eye safe class I.
- Accuracy ± 1m.
- Range: 20 m to 8000 m.
- Programable frequency 1Hz - 10Hz.
- Wavelength 1550 nm.

Ranges	IR Camera	CCD
Detection	≥ 7.7 km	≥ 13 km
Recognition	≥ 3.2 km	≥ 9 km
Identification	≥ 2.1 km	≥ 7 km

NATO Target of 2,3m x 2,3m



Avda Punto Es, 10
Alcalá de Henares 28805, Madrid. Spain
T. +34 911 898 293

www.eme-es.com

EM&E
ESCRIBANO MECHANICAL & ENGINEERING